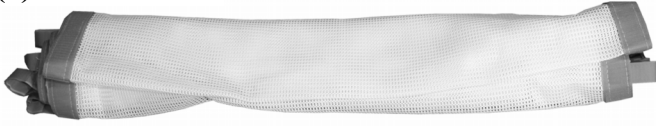


Zig-Zag Mesh Panel Frame Instructions

For models with Standard Feet -or- WheelSet

Parts:

(3) Mesh Panels



Poles:

(4) Female Poles with End Cap -or- WheelSet assembly



(6) StaBar Poles with red color code



(4) Male Poles



Plus: (6) Black Ball Bungees for Bundling Poles

(11) Thumbscrews for StaBar Joints

Hardware:

(2) Ell Joints



(2) 3-Way Joints



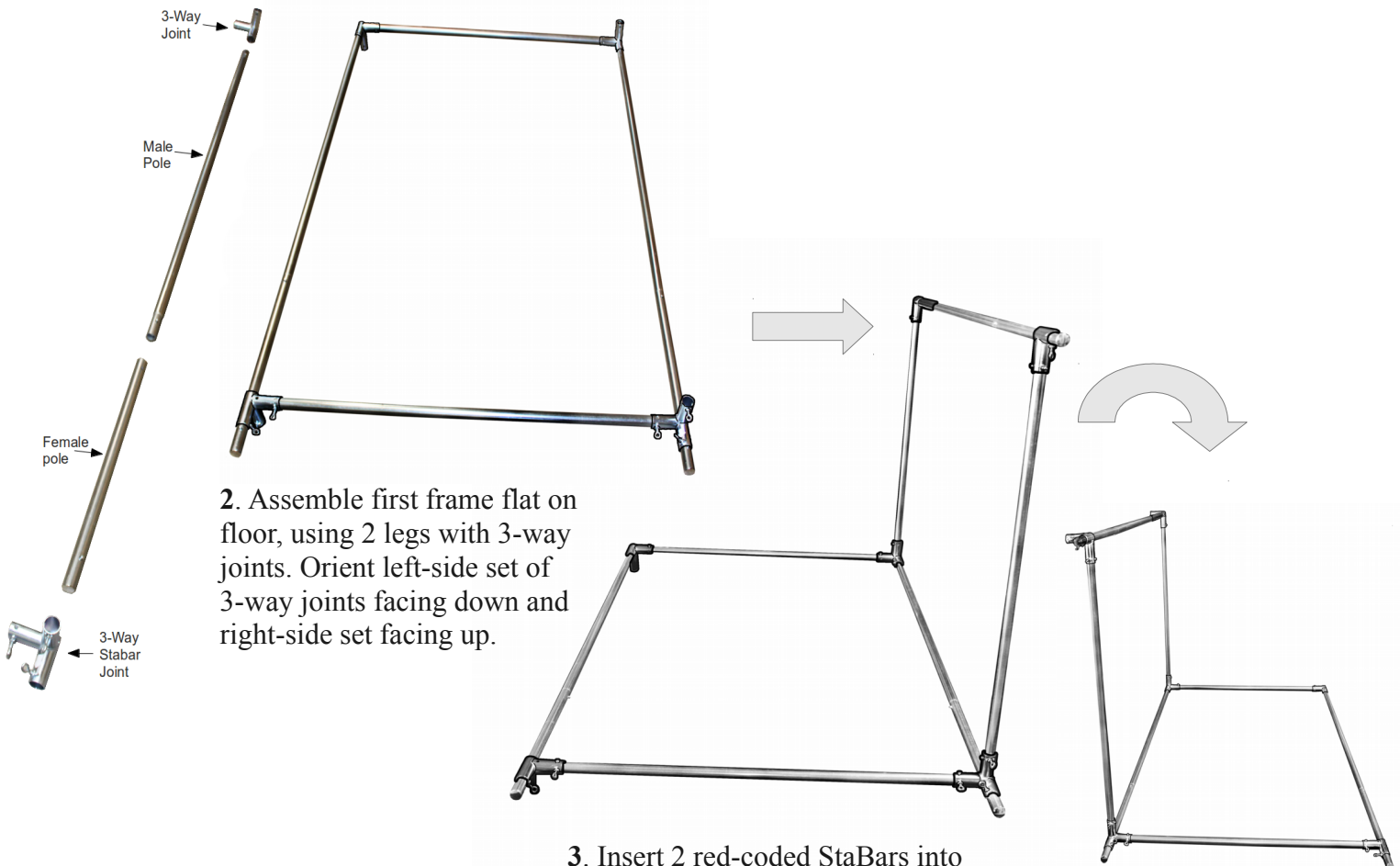
(2) StaBar Ells



(2) StaBar 3-Ways



1. Assemble legs as illustrated, sliding joints onto leg pole. Assemble 2 legs using 3-way joints and 2 legs with Ell joints. Be sure to slide StaBar joints up past button at bottom of female pole.



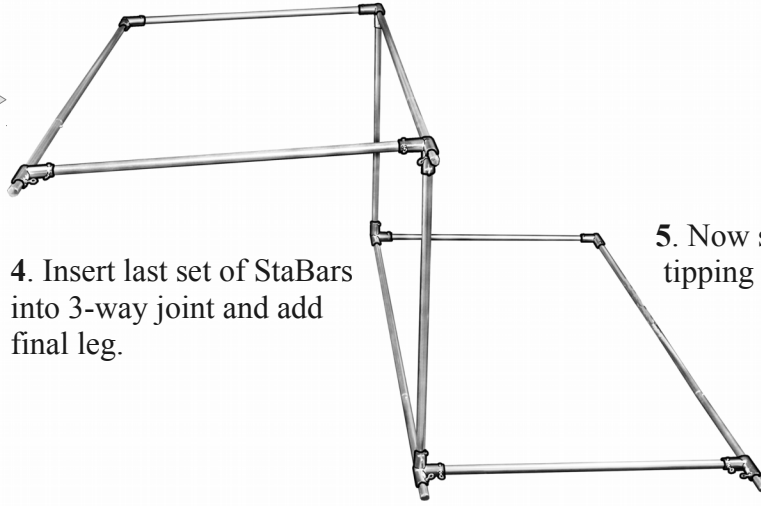
2. Assemble first frame flat on floor, using 2 legs with 3-way joints. Orient left-side set of 3-way joints facing down and right-side set facing up.

3. Insert 2 red-coded StaBars into open stubs of 3-way joints on the right, then add third leg to them using Ell joints.

4. Tip unit to the right to expose remaining set of open 3-way stubs.



4. Insert last set of StaBars into 3-way joint and add final leg.



5. Now stand the entire unit up by tipping it towards you.

*Remember to tighten all thumbscrews to achieve the most stability.



6. Attaching the mesh panels to the frame:

Be sure all thumbscrews are tightened before attaching panels.

1. Working from same side of frame, place aluminum hooks over upper horizontal poles and allow mesh panel to hang.

2. Snap buckle-straps around bottom StaBars and pull free end to tighten, pulling entire panel flat and smooth.

3. Finally, wrap velcro straps around legs, pulling panels snug as you go.

Ready to hang artwork!

